



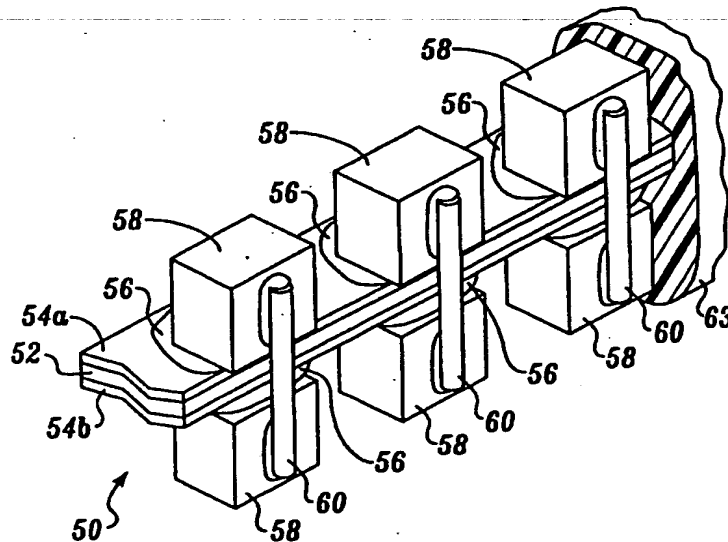
INTERNATIONAL APPLICATION PUBLISHED UNDER THE PATENT COOPERATION TREATY (PCT)

<p>(51) International Patent Classification <sup>6</sup> : A61N 5/06</p>	<p>A1</p>	<p>(11) International Publication Number: <b>WO 98/32493</b> (43) International Publication Date: 30 July 1998 (30.07.98)</p>
<p>(21) International Application Number: PCT/US97/21773 (22) International Filing Date: 1 December 1997 (01.12.97) (30) Priority Data: 08/787,775 29 January 1997 (29.01.97) US (71) Applicant: LIGHT SCIENCES LIMITED PARTNERSHIP [US/US]; 1065 - 12th Avenue N.W. #E5, Issaquah, WA 98027 (US). (72) Inventors: CHEN, James, C.; 2011 - 87th Place N.E., Bellevue, WA 98004 (US). WISCOMBE, Brent; 3014 East Holmes, Mesa, AZ 85204 (US). (74) Agent: ANDERSON, Ronald, M.; Law Offices of Ronald M. Anderson, Suite 1710, 500 - 108th Avenue N.E., Bellevue, WA 98004-5500 (US).</p>		<p>(81) Designated States: AU, CA, JP, European patent (AT, BE, CH, DE, DK, ES, FI, FR, GB, GR, IE, IT, LU, MC, NL, PT, SE).  Published With international search report.</p>

(54) Title: COMPACT FLEXIBLE CIRCUIT CONFIGURATION

(57) Abstract

This invention is a flexible probe constructed using a flexible circuit (10) having a small cross-sectional profile. In the various disclosed embodiments of the flexible circuit (10), a flexible substrate (12) includes a plurality of conductive traces (14, 16) that extend along opposite surfaces of the substrate (12). Light emitting devices (18) (or other electronic devices) are mounted at spaced-apart intervals along the length of the conductive traces (14, 16) using a conductive adhesive/solder (22). A conductor couples a terminal on the outwardly facing side of each of the light emitting devices (18) to the conductive trace that is disposed on the opposite side of the substrate (12). In one embodiment, this conductor comprises a short conductive bar (60) that extends between the terminals of pairs of the light emitting devices (18) that are mounted on opposite sides of the flexible substrate (12) so that the pair of light emitting devices (18) are connected in series. In another embodiment, the flexible



substrate includes an outwardly extending arm (108) of the conductive trace that wraps around the edge of the flexible substrate (12) to connect to the light emitting device mounted on the opposite side thereof. In each embodiment, a substantially smaller cross-sectional profile is achieved compared to a previous approach in which the conductive traces providing power to a light emitting device were located on the same side of the flexible substrate, and fly wires (20) were used to connect the light emitting devices to the conductive traces.

**FOR THE PURPOSES OF INFORMATION ONLY**

Codes used to identify States party to the PCT on the front pages of pamphlets publishing international applications under the PCT.

AL	Albania	ES	Spain	LS	Lesotho	SI	Slovenia
AM	Armenia	FI	Finland	LT	Lithuania	SK	Slovakia
AT	Austria	FR	France	LU	Luxembourg	SN	Senegal
AU	Australia	GA	Gabon	LV	Latvia	SZ	Swaziland
AZ	Azerbaijan	GB	United Kingdom	MC	Monaco	TD	Chad
BA	Bosnia and Herzegovina	GE	Georgia	MD	Republic of Moldova	TG	Togo
BB	Barbados	GH	Ghana	MG	Madagascar	TJ	Tajikistan
BE	Belgium	GN	Guinea	MK	The former Yugoslav Republic of Macedonia	TM	Turkmenistan
BF	Burkina Faso	GR	Greece	ML	Mali	TR	Turkey
BG	Bulgaria	HU	Hungary	MN	Mongolia	TT	Trinidad and Tobago
BJ	Benin	IE	Ireland	MR	Mauritania	UA	Ukraine
BR	Brazil	IL	Israel	MW	Malawi	UG	Uganda
BY	Belarus	IS	Iceland	MX	Mexico	US	United States of America
CA	Canada	IT	Italy	NE	Niger	UZ	Uzbekistan
CF	Central African Republic	JP	Japan	NL	Netherlands	VN	Viet Nam
CG	Congo	KE	Kenya	NO	Norway	YU	Yugoslavia
CH	Switzerland	KG	Kyrgyzstan	NZ	New Zealand	ZW	Zimbabwe
CI	Côte d'Ivoire	KP	Democratic People's Republic of Korea	PL	Poland		
CM	Cameroon	KR	Republic of Korea	PT	Portugal		
CN	China	KZ	Kazakstan	RO	Romania		
CU	Cuba	LC	Saint Lucia	RU	Russian Federation		
CZ	Czech Republic	LI	Liechtenstein	SD	Sudan		
DE	Germany	LK	Sri Lanka	SE	Sweden		
DK	Denmark	LR	Liberia	SG	Singapore		
EE	Estonia						

## COMPACT FLEXIBLE CIRCUIT CONFIGURATION

### Field of the Invention

The present invention is generally directed to a circuit substrate having conductive traces on which are mounted a plurality of electrical devices used for administering a medical treatment, and more specifically, is directed to a probe that is inserted within a patient's body to administer the medical treatment and which includes a flexible circuit substrate on which are disposed conductive traces that convey electrical signals to the plurality of electrical devices.

### Background of the Invention

Several embodiments of light emitting probes designed to be transcutaneously introduced into the body of a patient and positioned at a desired treatment site to administer photodynamic therapy (PDT) using a plurality of light sources are taught in commonly assigned U.S. Patent No. 5,445,608, the drawings and disclosure of which are specifically incorporated herein by reference. Several different embodiments of such probes are illustrated and discussed in this prior patent. Each of the probes disclosed in this reference includes a plurality of light sources that are mounted on a relatively stiff or inflexible substrate and enclosed within a transparent envelope through which light emitted by the light sources is transmitted to irradiate a tumor or other cells that are to be destroyed by PDT. The light sources used on the probes taught by this reference are preferably light emitting diodes (LEDs); however, almost any light source capable of emitting light in a waveband corresponding to an absorption waveband of a photoreactive agent that has been applied to the tumor or other tissue to be destroyed can be used. By inserting one of these probes into a patient's body, moving the probe to an internal treatment site, and using the probe for applying PDT, abnormal cells or other organisms at the treatment site can be destroyed without significant adverse impact on adjacent normal tissue.

None of the implantable light emitting probes disclosed in the above-referenced patent include light sources mounted on flexible substrates. There are many applications for PDT in which it would be advantageous to use a flexible substrate for mounting the LEDs or other light sources on a probe employed to administer the PDT, e.g., so that the probe can be threaded into a treatment site through a curved passage within the patient's body without risk of perforation of the wall of the passage. In contrast to the relatively inflexible substrate used in the probes disclosed in the above-referenced patent, a flexible PDT probe having a small cross-sectional size, e.g., less than 2 mm, can be more readily maneuvered through body passages using conventional endoscopic techniques, enabling the flexible probe to be inserted to provide a medical therapy, such as the administration of PDT, to a treatment site. In addition, a small cross-sectional area flexible probe is less likely to cause bleeding upon insertion interstitially at a treatment site and become infected after insertion. The prior art does not disclose a flexible probe capable of providing these capabilities.

To address the need for such devices, commonly assigned U.S. patent applications, Serial No. 08/613,390 filed March 7, 1996, and a continuation-in-part thereof, Serial No. 08/633,171 filed April 16, 1996, both entitled "Flexible Microcircuits for Internal Light Therapy," disclose several different embodiments of flexible probes. These embodiments include a relatively small diameter, elongate flexible probe. The elongate probe comprises a flexible substrate on which are mounted a plurality of light emitting devices, in a spaced-apart array. The light emitting devices are mounted on each side of the substrate, and are electrically connected to two flexible conductive traces that extend along the surface of each side. The light sources each include terminals disposed on opposite sides of the device. One terminal is electrically connected using solder or a conductive adhesive to one of the two traces. A fly wire (very small gage) couples the other terminal to the other conductive trace. While this arrangement provides a workable flexible probe that is able to bend without damage as the probe is inserted through a small diameter passage, the probe has a larger diameter than desired because the width of the flexible substrate required for this configuration is slightly greater than the sum of the width of the light emitting devices and the width of the two conductive traces. The resulting configuration is also subject to damage when handled before final fabrication of the probe is completed, because the fragile fly wires are exposed until the substrate and mounted light sources are encapsulated in a flexible, optically transparent,

biocompatible material. Thus, a more compact arrangement that is more robust and capable of automated fabrication is desirable. Ideally, it should be possible to fabricate a flexible elongate probe having a cross-sectional diameter of less than 0.15 cm, i.e., the width of the substrate should be only slightly greater than the width of the light sources mounted thereon.

It will also be apparent that a flexible probe having a smaller diameter so that it can more readily be introduced to a treatment site has utility for implementing medical therapies other than PDT. For example, a small diameter flexible probe that includes an ultrasonic transmitter and/or ultrasonic receiver can readily be inserted into an organ or through a lumen to carry out an ultrasound scan of surrounding tissue. Furthermore, a small diameter flexible probe that is used to administer PDT can be provided with electronic components capable of carrying out additional functions. For example, a sensor to determine the efficacy of the PDT treatment might be included on the flexible probe, in addition to the plurality of light sources that are used to provide light to a treatment site.

A relatively smaller diameter flexible probe on which one or more electrical circuits for administering a medical treatment or a sensing device is mounted can more readily be threaded into an internal site within a patient's body than a larger diameter probe, and the insertion procedure can be implemented with less trauma to the patient. In addition, a configuration that eliminates use of the fly wires to couple the terminal of a device to a conductive trace should improve the durability of the probe. Producing a smaller diameter probe that is more robust than that of previous designs is clearly a desirable objective.

#### Summary of the Invention

In accordance with the present invention, a flexible circuit for use in a probe intended to be inserted into a patient's body is defined that includes an elongate flexible substrate comprising a material having good dielectric properties. The flexible substrate has two opposed surfaces, including a first surface and a second surface. A first conductive trace extends along the first surface of the flexible substrate, and similarly, a second conductive trace extends along the second, opposite surface of the flexible substrate. A plurality of first electrical devices are mounted in spaced-apart array along the first surface of the flexible substrate. Each of these electrical devices has a first electrical terminal that is electrically connected to the first conductive trace and a second electrical terminal that is spaced apart from the first electrical terminal. Link means are provided for electrically coupling the second electrical terminals of the plurality of

first electrical devices to the second conductive trace that is on the second surface of the flexible substrate. The first and second conductive traces and the link means carry an electrical current that energizes the plurality of first electrical devices. A biocompatible, flexible material encapsulates the flexible substrate,  
5 the first and second conductive traces, the link means, and the plurality of first electrical devices.

The flexible circuit can further comprise a plurality of second electrical devices that are mounted in spaced-apart array along the second surface. Each of said plurality of second electrical devices has a first electrical terminal. A second  
10 electrical terminal is spaced apart from the first electrical terminal and is in electrical contact with the second electrically conductive trace. In one preferred embodiment, the link means electrically connect the second electrical terminals of the plurality of first electrical devices to the first electrical terminals on the  
15 first and second electrical traces and the link means flows through the plurality of first electrical devices, in series with the plurality of second electrical devices. This electrical current thus also energizes the plurality of second electrical devices. In this embodiment, the link means preferably comprise relatively straight segments of wire.

20 In another preferred embodiment, the link means comprise first conductors that extend between and are connected to the second electrical terminals of the plurality of first electrical devices and to the second conductive trace; the link means also include second conductors that extend between and are connected to  
25 the first electrical terminals of the plurality of second electrical devices and to the first conductive trace. In this embodiment, the electrical current carried by the first and second electrical traces and the link means flows through the plurality of first electrical devices in parallel with the plurality of second electrical devices and thus also energizes the plurality of second electrical devices. The second  
30 terminals of the plurality of first electrical devices and the first terminals of the plurality of second electrical devices each face toward an edge of the flexible substrate. The link means preferably comprise conductors that extend past the edge of the flexible substrate to connect the second terminals of the plurality of first electrical devices with the first terminals of the plurality of second electrical devices.

35 In yet another embodiment, the second conductive trace comprises a conductive foil having a plurality of side arms extending transversely off the edge

of the second surface of the flexible substrate. In this embodiment, the plurality of side arms (i.e., the link means) are bent to connect to the second electrical terminals of the plurality of first electrical devices. In one form of the invention, second surfaces of two flexible circuits are bonded together forming an assembly  
5 having first electrical devices mounted on opposite sides thereof.

In still another embodiment, the first and second conductive traces each comprise a conductive foil; the conductive foil of the first conductive trace has a plurality of first side arms extending transversely off an edge of the first surface of the flexible substrate, and similarly, the conductive foil of the second conductive  
10 trace has a plurality of second side arms extending transversely off an edge of the second surface. For this embodiment, the link means comprise the plurality of first side arms, which are bent to connect to the first electrical terminals of the plurality of second electrical devices, and the plurality of second side arms, which are bent to connect to the second electrical terminals of the plurality of first  
15 electrical devices.

While not limited to such devices, the plurality of first and second electrical devices preferably comprise light emitting devices for providing a light therapy at a treatment site within the patient's body. In each of the preferred embodiments, the plurality of first and second electrical devices are mounted on  
20 the first and second surfaces of the flexible substrate using an adhesive that is electrically conductive. The adhesive electrically couples the first electrical terminals of the plurality of first electrical devices to the first conductive trace, and the second electrical terminals of the plurality of second electrical devices to the second conductive trace.

25 Another aspect of the present invention is directed to a method for producing a flexible probe having a compact cross-sectional dimension, for use in rendering a medical treatment to a treatment site within a patient's body. The method includes steps that are generally consistent with the functions implemented by the elements of the flexible circuit discussed above.

### 30 **Brief Description of the Drawing Figures**

The foregoing aspects and many of the attendant advantages of this invention will become more readily appreciated as the same becomes better understood by reference to the following detailed description, when taken in conjunction with the accompanying drawings, wherein:

35 **FIGURE 1A** is an isometric view of a portion of a flexible substrate showing a plurality of light sources mounted on one surface in accord with an

earlier configuration in which the diameter of a probe was relatively wider than in the present invention;

FIGURE 1B is an end view of the configuration for a flexible substrate shown in FIGURE 1A;

5 FIGURE 2 is an end view of another configuration for mounting light sources on both sides of a flexible substrate, as previously developed;

FIGURE 3A is an end view of a first embodiment of the present invention that is used to produce a flexible probe having a substantially smaller cross section than the configurations shown in FIGURES 1A, 1B, and 2;

10 FIGURE 3B is an isometric view of a portion of the embodiment of FIGURE 3A;

FIGURE 4A is an end view of a second embodiment of the flexible circuit in accord with the present invention;

FIGURE 4B is an isometric view of the embodiment of FIGURE 4A;

15 FIGURE 5A is an end view of a third embodiment of the present invention, in which two substrates are joined together, back-to-back;

FIGURE 5B is an isometric view of a portion of the third embodiment shown in FIGURE 5A;

20 FIGURE 6A is an end view of a fourth embodiment of the present invention;

FIGURE 6B is an isometric view of a portion of the fourth embodiment shown in FIGURE 6A;

FIGURE 7A is an end view of a fifth embodiment of the flexible probe in accord with the present invention; and

25 FIGURE 7B is an isometric view of the fifth embodiment shown in FIGURE 7A.

#### **Description of the Preferred Embodiment**

30 As noted above in the Background of the Invention, earlier versions of a flexible probe have been developed for providing light therapy to a treatment site within a patient's body. Due to their elastic properties, the flexible probes can more readily be inserted to a specific treatment site using endoscopic techniques. In addition to light therapy, it is also contemplated that other medical devices mounted on flexible probes can be advanced to a treatment site in much the same manner.

35 An example of a previous embodiment of a flexible circuit 10 is illustrated in FIGURES 1A and 1B. The flexible circuit is supported by a flexible



substrate 12 comprising a polymeric plastic material, which is selected for its elastomeric properties that enable it to readily bend without breaking. On the upper surface of flexible substrate 12 (as shown in FIGURES 1A and 1B) are spaced-apart conductive traces 14 and 16. These conductive traces are disposed  
5 on each side of light emitting devices 18 and are thus spaced apart by approximately the width of the light emitting devices. Light emitting devices 18 are adhesively attached to flexible substrate 12 at spaced-apart intervals along the longitudinal length of the flexible substrate. Conductive traces 14 and 16 are  
10 connected to a source of electrical current (not shown) that is remote and separate from the flexible circuit. In this previous design, light emitting devices 18 comprise light emitting diodes (LEDs) and thus can be selectively energized, depending upon the polarity of the DC voltage applied to the devices. To enable specific light emitting devices to be energized depending upon the polarity of the voltage applied to conductive traces 14 and 16, the light emitting devices are  
15 mounted on flexible substrate 12, with their terminals arranged in a specific polarity. Fly wires 20 extend from the terminals on one side of a light emitting device to one of the conductive traces, while on the opposite side of that light emitting device, a conductive adhesive or solder droplet 22 provides electrical continuity between the terminal and the conductive trace.

20 A tubular probe incorporating flexible circuit 10 would have a diameter slightly greater than the width of flexible substrate 12. Because of the configuration of the flexible circuit, the width of flexible substrate 12 is slightly greater than or equal to the sum of the widths of conductive traces 14 and 16 and the width of the light emitting devices. In addition, the fly wires 20 extending  
25 between the conductive traces and the terminals on the sides of the light emitting devices are the components most likely to fail in this configuration. The present invention addresses these two problems.

An alternative embodiment of the previous design of a flexible probe 28 is illustrated in FIGURE 2. Since this is a cross-sectional view, only limited details  
30 concerning the multiplicity of light emitting devices 38 that are attached to one side of flexible substrates 32 are illustrated. In this embodiment, two flexible substrates 32 are attached back-to-back by an adhesive layer 36. On the outwardly or oppositely facing surfaces of flexible substrates 32 are mounted light emitting devices 38, spaced-apart along the length of the flexible substrates. Also  
35 extending longitudinally along the length of these flexible substrates 32 are conductive traces 34a and 34b. On the outwardly facing surface of each

substrate 32, conductive trace 34a extends generally parallel and spaced apart from conductive trace 34b. Conductive traces 34a and 34b on each of the oppositely facing surfaces of the flexible substrate are connected to a power source that provides an electrical current for energizing light emitting devices 38.

5 While not shown, it should be understood that the power source may be disposed either internally within the patient's body, or may be energized from an external source by an electromagnetic coupling technique, RF coupling, or other appropriate means.

10 Light emitting devices 38 are adhesively attached to conductive traces 34a using a conductive adhesive or solder 42. A terminal 44 on each light emitting device is coupled through a fly wire 40 to one of the conductive traces 34b. Fly wires 40 are bonded to conductive traces 34b. Surrounding the conductive traces, light emitting devices, and flexible substrates is a cylindrical optically transparent and biocompatible envelope 30. Envelope 30 protects the flexible circuit from  
15 damage, and is hermetically sealed around the flexible substrates. Preferably, envelope 30 comprises a plastic polymer selected for its flexibility and optical transparency.

20 Again, it will be evident that the diameter of flexible probe 28 is determined primarily by the width of flexible substrate 32, since the flexible substrate must fit within envelope 30. Clearly, it would be desirable to eliminate fly wires 40 from the assembly illustrated in FIGURE 2 and to reduce the width of the flexible substrates required to produce a flexible circuit so that the diameter of envelope 30, and thus, the diameter of the flexible probe can also be reduced.

25 Turning now to FIGURES 3A and 3B, a first flexible circuit 50 having a substantially smaller cross-sectional profile is illustrated. Flexible circuit 50 includes a flexible substrate 52 having conductive traces 54a and 54b extending longitudinally along opposite surfaces. At spaced-apart intervals along the longitudinal axis of flexible substrate 52 are disposed light emitting devices 58. The light emitting devices are mounted to conductive traces 54a and 54b using a  
30 conductive adhesive/solder 56 and are disposed so that a light emitting device mounted on conductive trace 54a is disposed opposite a light emitting device mounted on conductive trace 54b. Conductive traces 54a and 54b are coupled to a source of an electrical current (not shown). Accordingly, light emitting devices 58 that are mounted to conductive trace 54a are electrically connected to it through  
35 conductive adhesive/solder 56, while those mounted on conductive trace 54b are electrically connected to that conductive trace in a similar fashion. A conductive

bar 60 extends adjacent the edge of flexible substrate 52 and is mechanically and electrically connected to the terminals of light emitting devices 58 that are mounted on opposite sides of flexible substrate 52 by a conductive adhesive/solder 62. The light emitting devices are thus joined in series by the  
5 conductive bar.

It will be apparent that the height and width of flexible circuit 50 is substantially less than that of the earlier designs illustrated in FIGURES 1A, 1B, and 2. An optically transparent flexible material 63 that is biocompatible and serves the same purpose as envelope 30, which is shown in FIGURE 2,  
10 encapsulates flexible circuit 50 and each of the other embodiments of the flexible circuits discussed below. However, the encapsulating material is omitted from the drawings depicting each of other embodiments of the flexible circuits in order to simplify the illustrations.

A second embodiment of the present invention is illustrated in  
15 FIGURES 4A and 4B, which show a flexible circuit 70. Flexible circuit 70 includes an elongate flexible substrate 72 that extends longitudinally. Conductive traces 74a and 74b extend longitudinally along the opposite surfaces of flexible substrate 72. On opposite sides of flexible substrate 72 are mounted light emitting devices 76. These light emitting devices are connected to conductive traces 74a  
20 and 74b using a conductive adhesive/solder 78, which is in electrical contact with the terminals on one side of the light emitting devices. On an opposite side of each light emitting device is another terminal that is connected to a U-shaped conductor 80 that extends from one side of the flexible substrate around to the opposite side and which is sized so that the ends of the U-shaped conductor are  
25 seated on the outwardly facing surfaces of light emitting devices 76, overlying the terminals of the devices. A conductive adhesive/solder 82 adheres and provides electrical conduction between these terminals and the ends of U-shaped conductors 80. Thus, flexible circuit 70 is similar to flexible circuit 50 in that pairs of the light emitting devices mounted on opposite sides of the flexible  
30 substrate are connected in series, but in the present embodiment, the U-shaped conductor performs the same function as conductive bar 60 in the preceding embodiment. The desired low profile and minimal width of flexible circuit 70 is thus achieved, enabling the flexible circuit to be used in a flexible probe having a relatively small cross-sectional diameter.

35 A somewhat different approach is used for constructing a flexible circuit 90, as illustrated in FIGURES 5A and 5B. For this flexible circuit, two

flexible substrates 92 and 94 are coupled back-to-back. A plurality of light emitting devices 102 are mounted on flexible substrate 94 at spaced-apart intervals. Light emitting devices 102 have terminals disposed on opposite facing sides of the devices. The terminal on the lower surface of each device is  
5 connected to a conductive trace 100a that extends along the length of flexible substrate 94 and at one end is connected to a power source (not shown). A conductive adhesive/solder layer 104 both mechanically and electrically connects each light emitting device 102 to conductive trace 100a.

Similarly, light emitting devices 102 are mounted in spaced-apart array on  
10 conductive trace 100b, which extends along the length of flexible substrate 92. Light emitting devices 102 are also connected to conductive trace 100b using conductive adhesive/solder layer 104. The lower surface of flexible substrate 94 (as shown in the Figures) includes a longitudinally extending conductive trace 98. At spaced-apart intervals corresponding to the spacing between light emitting  
15 devices 102, conductive trace 98 includes outwardly extending arms 108 that are not adhered to the flexible substrate, but instead are formed into a U-shape to connect to the upper terminals of the light emitting devices mounted on flexible substrate 94. Again, conductive adhesive/solder 106 electrically and mechanically is employed to couple the free ends of outwardly extending arms 108 to the  
20 terminal on the top of the light emitting devices.

Similarly, a conductive trace 99 extends along the inwardly facing side of flexible substrate 92 and at spaced-apart intervals corresponding to the spacing between the light emitting devices mounted on flexible substrate 92 includes foil  
25 arms 109 that are formed into a U-shape so that the ends of the arms are attached to the terminals on the bottom of the light emitting devices mounted on flexible substrate 92. An adhesive layer 96 joins flexible substrates 92 and 94 together back-to-back. Adhesive layer 96 may be conductive if it is desired that conductive traces 98 and 99 are at a common polarity. Alternatively, the conductive traces can be electrically insulated from each other so that the LEDs mounted on the  
30 outer surface of flexible substrate 94 are separately energized from those mounted on the outer surface of flexible substrate 92. The resulting configuration provides two separate circuits, but is still relatively compact, having a substantially smaller cross-sectional size than the designs previously developed and illustrated in FIGURES 1A, 1B, and 2.

35 Referring to FIGURES 6A and 6B, a flexible circuit 110 is disposed having a further alternative configuration. In this embodiment, an elongate

flexible substrate 112 has two outwardly facing surfaces on which are respectively disposed conductive traces 114a and 114b. These conductive traces are connected to a source of electrical current (not shown), generally as noted above in connection with the preceding embodiments. A plurality of light emitting

5 devices 116 are mounted in spaced-apart array along the length of conductive trace 114a. Similarly, light emitting devices 116 are mounted in spaced-apart array along the length of conductive trace 114b. To mount the light emitting devices to the conductive traces, a conductive adhesive/solder 118 is applied between the lower terminal of the light emitting device and the conductive trace.

10 On the opposite sides of the light emitting devices mounted on conductive trace 114a, a U-shaped conductor 120 is attached to the terminal of the light emitting device with a conductive adhesive/solder 124. The other end of conductor 120 extends around the edge of flexible substrate 112 and is attached to conductive trace 114b with conductive adhesive/solder 124. Similarly, a

15 U-shaped conductor 122 is attached to the lower terminal (as shown in FIGURES 6A and 6B) of the light emitting devices mounted on conductive trace 114b. Thus, in this configuration, the light emitting devices mounted on opposite sides of flexible substrate 112 are not connected in series, but instead, are connected in parallel. The cross-sectional size of flexible circuit 110 again is

20 much smaller than that of the prior designs shown in FIGURES 1A, 1B, and 2.

Finally, an embodiment for a flexible circuit 130 is illustrated in FIGURES 7A and 7B. Flexible circuit 130 is very similar to flexible circuit 110, since it includes an elongate flexible substrate 132 having opposite sides along the length of which extend conductive traces 134a and 134b. Light emitting

25 devices 144 are mounted at spaced-apart intervals along the length of both conductive traces 134a and 134b, using a conductive adhesive/solder layer 140. The light emitting devices mounted to conductive trace 134a are disposed at positions interleaved relative to the position of the light emitting devices mounted on conductive trace 134b.

30 Instead of using the U-shaped conductors employed in flexible circuit 110, flexible circuit 130 includes conductive traces 134a and 134b with outwardly extending arms 136 and 138, respectively, which are bent around the edge of flexible substrate 132 and are connected to the outwardly facing terminals of light emitting devices 144 using conductive adhesive/solder 142. Outwardly extending

35 arms 136 and 138 are integrally formed from the foil used for the conductive traces. It is contemplated that the process of constructing flexible circuit 110

should be easily automated. Flexible circuit 130 is extremely compact, having a very small cross-sectional profile, which enables a flexible probe incorporating the flexible circuit to be correspondingly small in diameter.

5 While each of the embodiments of the flexible circuit disclosed above include light emitting devices, it will be apparent that other electronic devices used for providing a medical therapy can be alternatively mounted on the flexible circuits in much the same way as the light emitting devices. The present invention enables various configurations of flexible circuits to be produced that have a relatively small cross-sectional profile. Consequently, a flexible probe made using  
10 the present invention and intended for therapeutic and diagnostic purposes can be of small diameter, readily inserted within the body, and advanced to a desired treatment site.

Although the present invention has been described in connection with the preferred form of practicing it, those of ordinary skill in the art will understand  
15 that many modifications can be made thereto within the scope of the claims that follow. Accordingly, it is not intended that the scope of the invention in any way be limited by the above description, but instead be determined entirely by reference to the claims that follow.

The invention in which an exclusive right is claimed is defined by the following:

1. A flexible circuit for use in a probe intended to be inserted into a patient's body, comprising:

(a) an elongate flexible substrate comprising a dielectric material, said flexible substrate having two opposed surfaces, including a first surface and a second surface;

(b) a first conductive trace extending along said first surface of the flexible substrate;

(c) a second conductive trace extending along said second surface of the flexible substrate;

(d) a plurality of first electrical devices mounted in spaced-apart array along said first surface of the flexible substrate, each of said plurality of first electrical devices having:

(i) a first electrical terminal that is electrically connected to said first conductive trace; and

(ii) a second electrical terminal spaced apart from said first electrical terminal;

(e) link means for electrically coupling the second electrical terminals of the plurality of first electrical devices to the second conductive trace that is on the second surface of the flexible substrate, said first and second conductive traces and said link means carrying an electrical current that energizes the plurality of first electrical devices; and

(f) a biocompatible, flexible material encapsulating the flexible substrate, the first and second conductive traces, the link means, and the plurality of first electrical devices.

2. The flexible circuit of Claim 1, further comprising a plurality of second electrical devices mounted in spaced-apart array along the second surface, each of said plurality of second electrical devices having:

(a) a first electrical terminal; and

(b) a second electrical terminal spaced apart from said first electrical terminal and in electrical contact with the second electrically conductive trace.

3. The flexible circuit of Claim 2, wherein the link means electrically connect the second electrical terminals of the plurality of first electrical devices to the first electrical terminals on the plurality of second electrical devices, so that the electrical current carried by the first and second electrical traces and the link means flows through the plurality of first electrical devices, in series with the plurality of second electrical devices, and thus also energizes the plurality of second electrical devices.

4. The flexible circuit of Claim 3, wherein the link means preferably comprise generally straight segments of wire.

5. The flexible circuit of Claim 3, wherein the second terminals of the plurality of first electrical devices and the first terminals of the plurality of second electrical devices each face toward an edge of the flexible substrate, said link means comprising conductors that extend past said edge to connect the second terminals of the plurality of first electrical devices to the first terminals of the plurality of second electrical devices.

6. The flexible circuit of Claim 2, wherein the link means comprise first conductors that extend between and are connected to the second electrical terminals of the plurality of first electrical devices and the second conductive trace, and second conductors that extend between and are connected to the first electrical terminals of the plurality of second electrical devices and the first conductive trace, so that the electrical current carried by the first and second electrical traces and the link means flows through the plurality of first electrical devices in parallel with the plurality of second electrical devices, and thus also energizes the plurality of second electrical devices.

7. The flexible circuit of Claim 1, wherein the second conductive trace comprises a conductive foil having a plurality of side arms extending transversely off an edge of the second surface of the flexible substrate, said link means comprising the plurality of side arms, which are bent to connect to the second electrical terminals of the plurality of first electrical devices.



8. The flexible circuit of Claim 7, wherein second surfaces of two flexible circuits are bonded together forming an assembly having first electrical devices mounted on opposite sides thereof.

9. The flexible circuit of Claim 2, wherein the first and second conductive traces each comprise a conductive foil, the conductive foil of the first conductive trace having a plurality of first side arms extending transversely off an edge of the first surface of the flexible substrate, and the conductive foil of the second conductive trace having a plurality of second side arms extending transversely off an edge of the second surface, said link means comprising:

(a) the plurality of first side arms, which are bent to connect to the first electrical terminals of the plurality of second electrical devices; and

(b) the plurality of second side arms, which are bent to connect to the second electrical terminals of the plurality of first electrical devices.

10. The flexible circuit of Claim 2, wherein the plurality of first and second electrical devices comprise light emitting devices for providing a light therapy at a treatment site within the patient's body.

11. The flexible circuit of Claim 2, wherein the plurality of first and second electrical devices are mounted on the first and second surfaces of the flexible substrate using an adhesive.

12. The flexible circuit of Claim 11, wherein the adhesive is electrically conductive and electrically couples the first electrical terminals of the plurality of first electrical devices to the first conductive trace, and the second electrical terminals of the plurality of second electrical devices to the second conductive trace.

13. A flexible circuit probe intended to be inserted into a patient's body and because of its flexibility and compact cross-sectional size, to be readily advanced to a treatment site in the patient's body, comprising:

(a) a flexible, dielectric support having an elongate shape and generally extending along a longitudinal axis of the flexible circuit probe, said support having a first surface and a second surface;

(b) treatment means, mounted on the first surface of the support, for providing a therapeutic treatment when energized with an electrical current;

(c) a first conductive circuit applied to the first surface of the support;

(d) a second conductive circuit applied to the second surface of the support, said first conductive circuit and said second conductive circuit being adapted to connect to a source of an electrical current;

(e) a plurality of conductive links that extend past an edge of the support, said conductive links electrically coupling the treatment means mounted on the first surface with the second conductive circuit; and

(f) a biocompatible, flexible material that generally encapsulates the support, the treatment means, the first and second conductive circuits, and the plurality of conductive links.

14. The flexible circuit probe of Claim 13, wherein the treatment means are also mounted on the second surface of the support, said plurality of conductive links electrically coupling the treatment means on the second surface with the first conductive circuit.

15. The flexible circuit probe of Claim 14, wherein the treatment means include first and second electric terminals, said first electric terminals being electrically connected to the first conductive circuit for the treatment means mounted on the first surface, and said second electric terminals being electrically connected to the second conductive circuit, for the treatment means mounted on the second surface.

16. The flexible circuit probe of Claim 15, wherein the plurality of conductive links are electrically connected to the second electric terminals of the treatment means mounted on the first surface of the support, and are electrically connected to the first electric terminals of the treatment means mounted on the second surface of the support.

17. The flexible circuit probe of Claim 15, wherein a portion of the plurality of conductive links are electrically connected to the second electric terminals of the treatment means mounted on the first surface of the support, and to the second conductive circuit; and a remainder of the conductive links are electrically connected to the first electric terminals of the treatment means mounted on the second surface of the support, and to the first conductive circuit.

18. The flexible circuit probe of Claim 13, wherein the conductive links are generally U-shaped.

19. The flexible circuit probe of Claim 13, wherein the conductive links are generally straight wire segments.

20. The flexible circuit probe of Claim 13, wherein the conductive links comprise arms of the first and second conductive circuits that extend outwardly of the edge of the support and generally transverse to the longitudinal axis of the probe, said arms being deformed to couple to the treatment means.

21. The flexible circuit probe of Claim 13, wherein the treatment means comprise a plurality of light emitting sources mounted on the support in spaced-apart array, for providing light therapy to the treatment site.

22. The flexible circuit probe of Claim 21, wherein the material that encapsulates is substantially optically transparent.

23. The flexible circuit probe of Claim 14, wherein the treatment means are mounted to the first conductive circuit and to the second conductive circuit using a conductive adhesive.

24. The flexible circuit probe of Claim 13, wherein one of an adhesive and a solder alloy are used to connect the conductive links to the treatment means.

25. The flexible circuit probe of Claim 13, wherein the material that encapsulates defines an elongate flexible rod and protects the support and treatment means within the flexible rod.

26. The flexible circuit probe of Claim 13, wherein the treatment means comprise a plurality of pairs of light emitting devices, one light emitting device of each pair being mounted on the first surface, and another light emitting device of each pair being mounted on the second surface of the support.

27. The flexible circuit probe of Claim 26, wherein the light emitting devices comprising each pair are connected in parallel to the first and second conductive circuits.

28. The flexible circuit probe of Claim 26, wherein the light emitting devices comprising each pair are connected in series with the first and second conductive circuits.

29. A method for producing a flexible probe having a compact cross-sectional dimension, for use in rendering a medical treatment to a treatment site within a patient's body, comprising the steps of:

(a) providing an elongate flexible substrate having a first surface along which extends a first conductive trace, and a second surface along which extends a second conductive trace;

(b) mounting medical devices on the first surface in electrical contact with the first conductive trace, and on the second surface in electrical contact with the second conductive trace;

(c) electrically coupling the medical devices mounted on the first surface to the second conductive trace;

(d) electrically coupling the medical devices mounted on the second surface to the first conductive trace; and

(e) encapsulating the substrate and medical devices within a biocompatible, flexible material.

30. The method of Claim 29, wherein each medical device mounted on the first surface is connected in series with a medical device mounted on the second surface.

31. The method of Claim 29, wherein medical devices mounted on the first surface are connected in parallel to the first and second conductive traces with medical devices mounted on the second surface.

32. The method of Claim 29, wherein the medical devices are mounted on the first and second surfaces so that electrical terminals on the medical devices face toward an edge of the substrate, wherein the steps of electrically coupling comprise the step of providing conductors that extend between the electrical terminals of the medical devices mounted on the first surface and on the second surface.

33. The method of Claim 29, wherein the steps of electrically coupling comprise the steps of:

(a) extending arms of the first and second conductive traces beyond the edge of the substrate adjacent to the medical devices mounted on the first and second surfaces;

(b) bending the arms of the first conductive traces toward the medical devices mounted on the second surface of the substrate;

(c) bending the arms of the second conductive traces toward the medical devices mounted on the first surface of the substrate; and

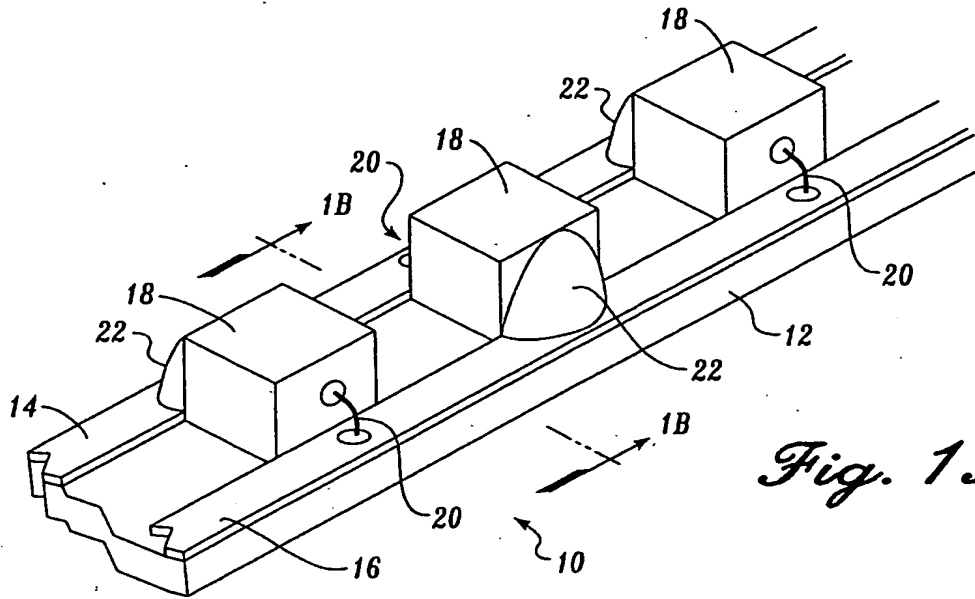
(d) electrically connecting the arms of the first and second conductive traces to the medical devices toward which they have been bent.

34. The method of Claim 29, wherein the medical devices comprise light sources, further comprising the step of mounting the light sources on the first and second surfaces of the substrate in spaced-apart array.

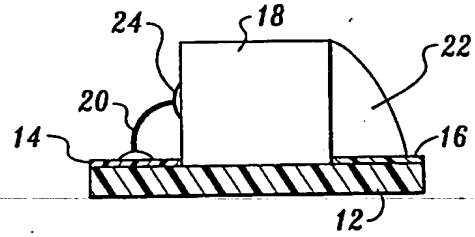
35. The method of Claim 29, wherein the medical devices are mounted on the first and second surfaces of the substrate using an adhesive.

36. The method of Claim 29, wherein a conductive adhesive is used to electrically connect the medical devices mounted on the first surface of the substrate to the first conductive trace, and to electrically connect the medical devices mounted on the second surface of the substrate to the second conductive trace.

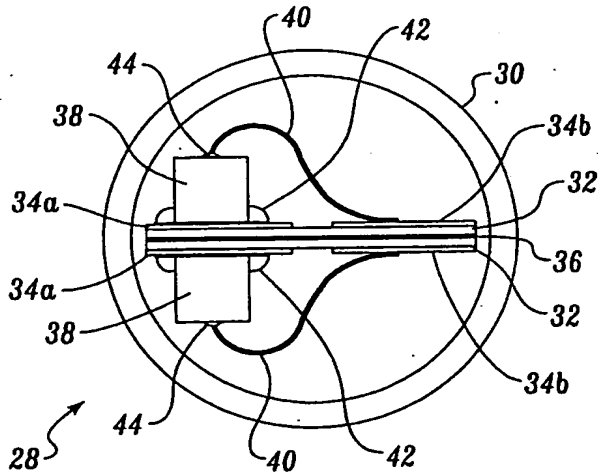
1/3



*Fig. 1 A*



*Fig. 1 B*



*Fig. 2*

2/3

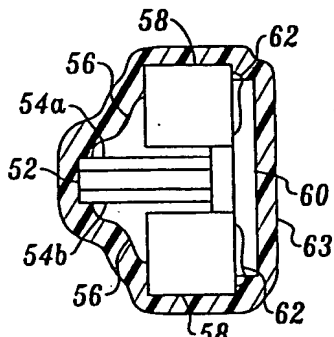


Fig. 3A

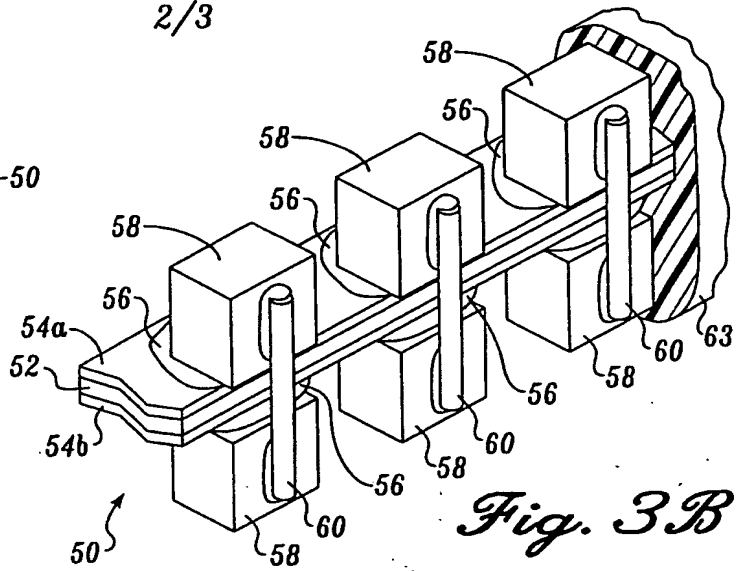


Fig. 3B

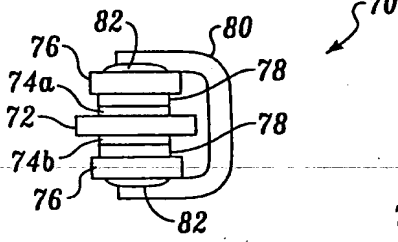


Fig. 4A

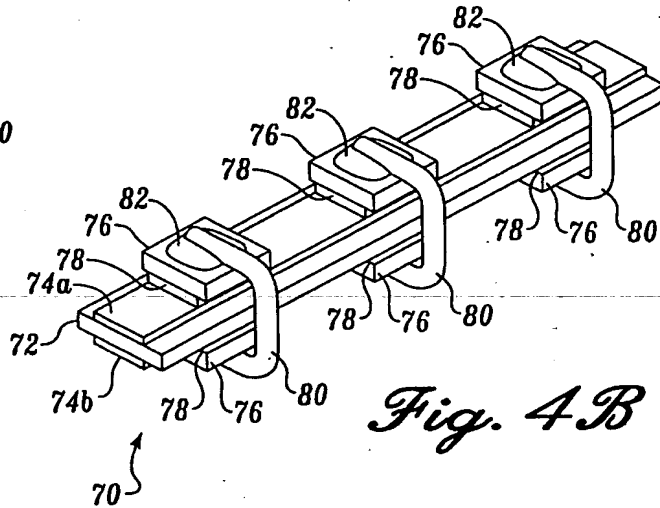


Fig. 4B

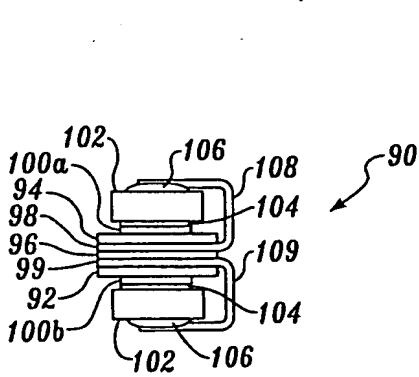


Fig. 5A

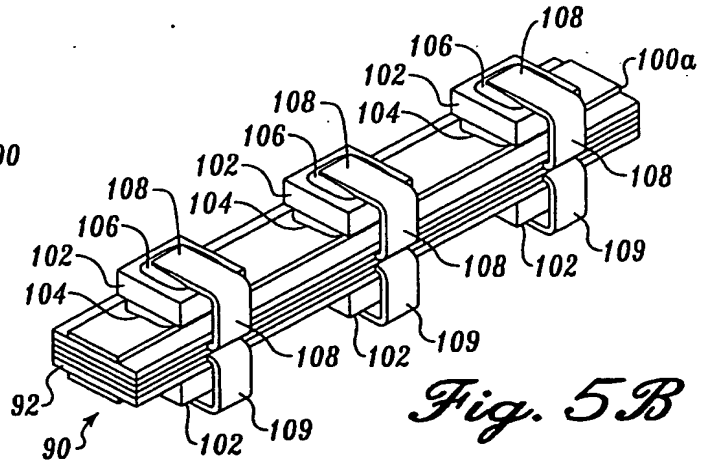
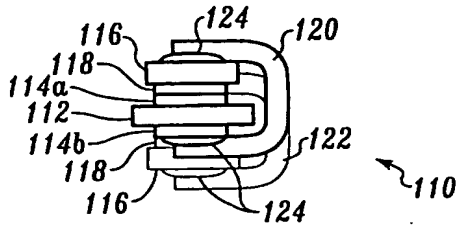
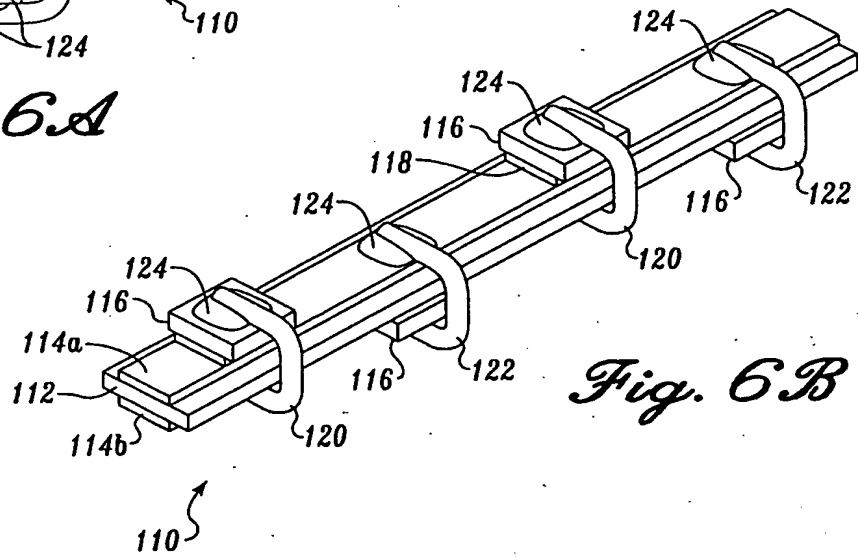


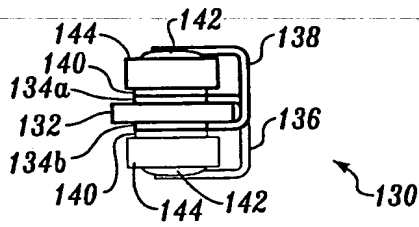
Fig. 5B



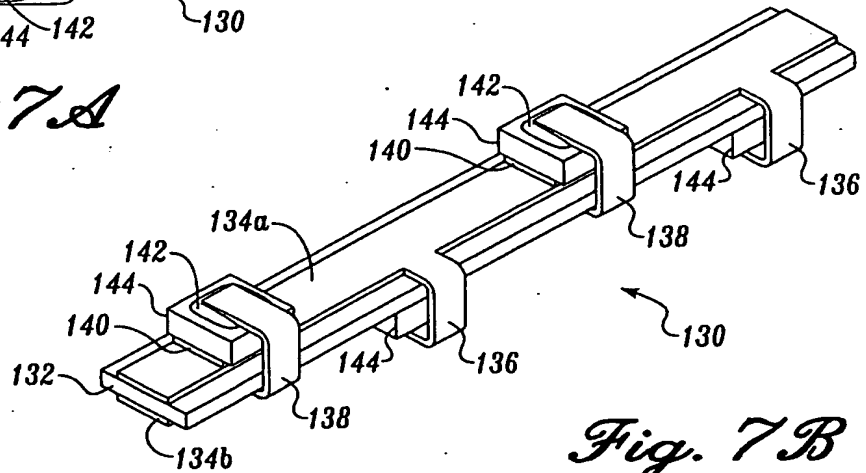
*Fig. 6A*



*Fig. 6B*



*Fig. 7A*

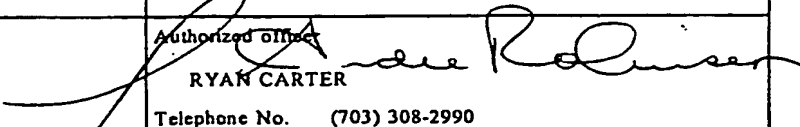


*Fig. 7B*



INTERNATIONAL SEARCH REPORT

International application No.  
PCT/US97/21773

<p><b>A. CLASSIFICATION OF SUBJECT MATTER</b>                  IPC(6) :A61N 5/06                  US CL :607/088                  According to International Patent Classification (IPC) or to both national classification and IPC</p>														
<p><b>B. FIELDS SEARCHED</b>                  Minimum documentation searched (classification system followed by classification symbols)                  U.S. : 606/2, 13-16, 27-29; 607/88-92, 100, 101</p> <p>Documentation searched other than minimum documentation to the extent that such documents are included in the fields searched</p> <p>Electronic data base consulted during the international search (name of data base and, where practicable, search terms used)</p>														
<p><b>C. DOCUMENTS CONSIDERED TO BE RELEVANT</b></p> <table border="1"> <thead> <tr> <th>Category*</th> <th>Citation of document, with indication, where appropriate, of the relevant passages</th> <th>Relevant to claim No.</th> </tr> </thead> <tbody> <tr> <td>Y</td> <td>US 5,157,750 A (GRACE et al) 20 October 1992, entire document.</td> <td>1-36</td> </tr> <tr> <td>A</td> <td>US 4,646,743 A (PARRIS) 03 March 1987, entire document.</td> <td>1-36</td> </tr> </tbody> </table>			Category*	Citation of document, with indication, where appropriate, of the relevant passages	Relevant to claim No.	Y	US 5,157,750 A (GRACE et al) 20 October 1992, entire document.	1-36	A	US 4,646,743 A (PARRIS) 03 March 1987, entire document.	1-36			
Category*	Citation of document, with indication, where appropriate, of the relevant passages	Relevant to claim No.												
Y	US 5,157,750 A (GRACE et al) 20 October 1992, entire document.	1-36												
A	US 4,646,743 A (PARRIS) 03 March 1987, entire document.	1-36												
<p><input type="checkbox"/> Further documents are listed in the continuation of Box C.      <input type="checkbox"/> See patent family annex.</p>														
<table border="0"> <tr> <td>* Special categories of cited documents:</td> <td>*T* later document published after the international filing date or priority date and not in conflict with the application but cited to understand the principle or theory underlying the invention</td> </tr> <tr> <td>*A* document defining the general state of the art which is not considered to be of particular relevance</td> <td>*X* document of particular relevance; the claimed invention cannot be considered novel or cannot be considered to involve an inventive step when the document is taken alone</td> </tr> <tr> <td>*E* earlier document published on or after the international filing date</td> <td>*Y* document of particular relevance; the claimed invention cannot be considered to involve an inventive step when the document is combined with one or more other such documents, such combination being obvious to a person skilled in the art</td> </tr> <tr> <td>*L* document which may throw doubts on priority claim(s) or which is cited to establish the publication date of another citation or other special reason (as specified)</td> <td>*A* document member of the same patent family</td> </tr> <tr> <td>*O* document referring to an oral disclosure, use, exhibition or other means</td> <td></td> </tr> <tr> <td>*P* document published prior to the international filing date but later than the priority date claimed</td> <td></td> </tr> </table>			* Special categories of cited documents:	*T* later document published after the international filing date or priority date and not in conflict with the application but cited to understand the principle or theory underlying the invention	*A* document defining the general state of the art which is not considered to be of particular relevance	*X* document of particular relevance; the claimed invention cannot be considered novel or cannot be considered to involve an inventive step when the document is taken alone	*E* earlier document published on or after the international filing date	*Y* document of particular relevance; the claimed invention cannot be considered to involve an inventive step when the document is combined with one or more other such documents, such combination being obvious to a person skilled in the art	*L* document which may throw doubts on priority claim(s) or which is cited to establish the publication date of another citation or other special reason (as specified)	*A* document member of the same patent family	*O* document referring to an oral disclosure, use, exhibition or other means		*P* document published prior to the international filing date but later than the priority date claimed	
* Special categories of cited documents:	*T* later document published after the international filing date or priority date and not in conflict with the application but cited to understand the principle or theory underlying the invention													
*A* document defining the general state of the art which is not considered to be of particular relevance	*X* document of particular relevance; the claimed invention cannot be considered novel or cannot be considered to involve an inventive step when the document is taken alone													
*E* earlier document published on or after the international filing date	*Y* document of particular relevance; the claimed invention cannot be considered to involve an inventive step when the document is combined with one or more other such documents, such combination being obvious to a person skilled in the art													
*L* document which may throw doubts on priority claim(s) or which is cited to establish the publication date of another citation or other special reason (as specified)	*A* document member of the same patent family													
*O* document referring to an oral disclosure, use, exhibition or other means														
*P* document published prior to the international filing date but later than the priority date claimed														
<p>Date of the actual completion of the international search 29 JANUARY 1998</p>		<p>Date of mailing of the international search report 25 FEB 1998</p>												
<p>Name and mailing address of the ISA/US                  Commissioner of Patents and Trademarks                  Box PCT                  Washington, D.C. 20231                  Facsimile No. (703) 305-3230</p>		<p>Authorized officer                    RYAN CARTER                  Telephone No. (703) 308-2990</p>												